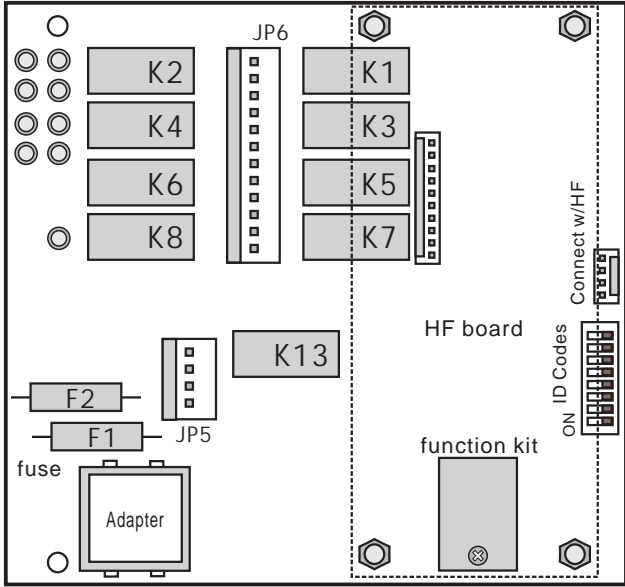


CUPI D Q100

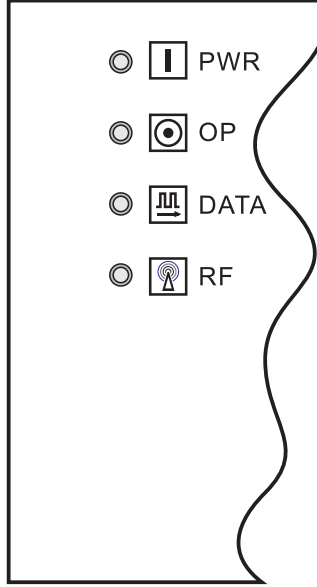
decoder & relay board (front side)



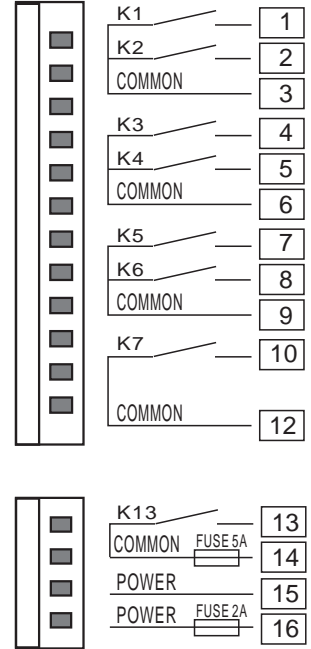
K13	Main
K1	A
K2	B
K3	C
K4	D
K5	E
K6	F
K7	G

F1	2A Power fuse
F2	5A Main fuse

indicator panel



wires location



Transmitter

- AC-110V
- AC-220V
- AC-380V
- AC-415V

